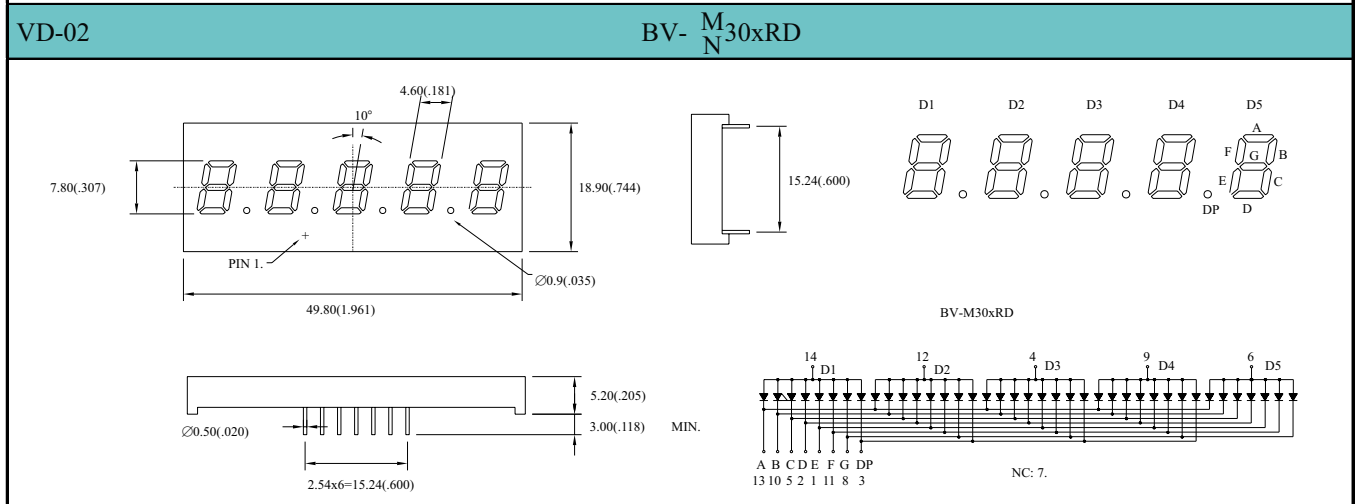
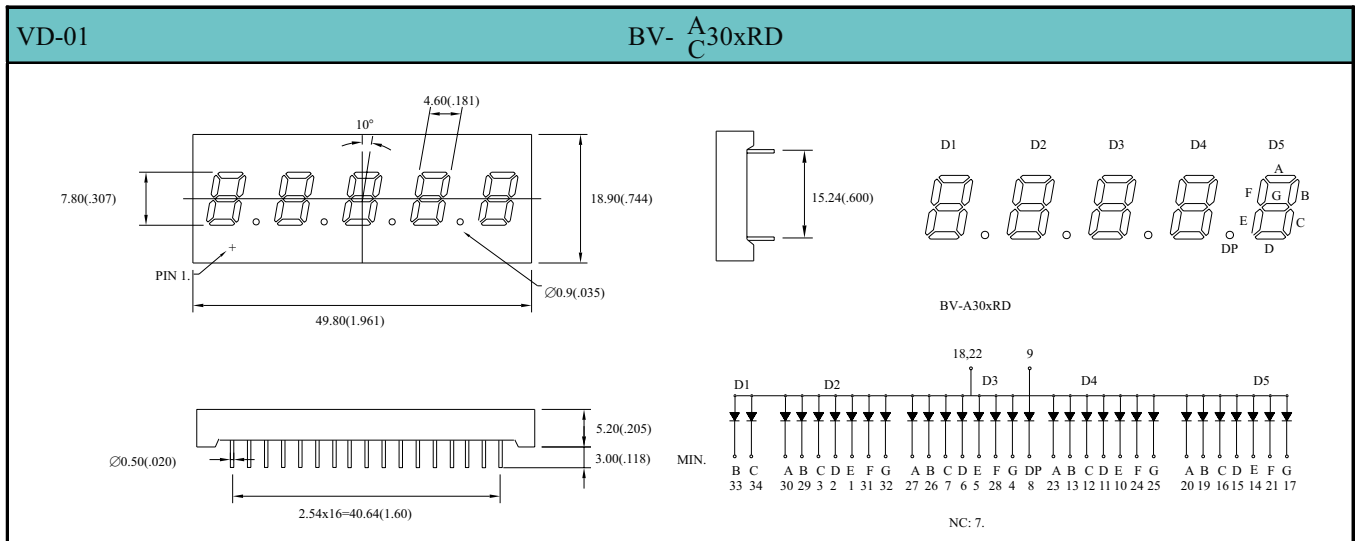


# FIVE & SIX DIGIT LED DISPLAYS

Digit Size	Part No.		Chip		Absolute Maximum Ratings				Electro-optical Data(At 10mA)			Drawing No.
	Common Anode	Common Cathode	Material/Emitted Color	Peak Wave Length $\lambda_p$ (nm)	$\Delta \lambda$ (nm)	Pd (mw)	If (mA)	Ifp (mA)	Vf (v)		Iv. Typ. Per.Seg. (mcd)	
									Typ.	Max.		
0.30" Five-Digit	BV-A301RD	BV-C301RD	GaAsP/Red	655	40	80	40	200	1.7	2.0	0.6	VD-01
	BV-A305RD	BV-C305RD	GaP/ Bright Red	700	90	40	15	50	2.2	2.5	1.2	
	BV-A305RE	BV-C305RE										
	BV-A302RD	BV-C302RD	GaP/ Green	568	30	80	30	150	2.2	2.5	3.0	
	BV-A303RD	BV-C303RD	GaAsP/GaP/ Yellow	585	35	80	30	150	2.1	2.5	2.0	
	BV-A304RD	BV-C304RD	GaAsP/GaP/ Hi-Eff.Red	635	45	80	30	150	2.0	2.5	3.0	
			GaAsP/GaP/ Orange									
	BV-A306RD	BV-C306RD	GaAlAs/ SH Super Red	660	20	80	30	150	1.7	2.5	6.0	
	BV-A30DRD	BV-C30DRD	GaAlAs/ DH Super Red	660	20	80	30	150	1.7	2.5	7.0	
	BV-M301RD	BV-N301RD	GaAsP/Red	655	40	80	40	200	1.7	2.0	0.6	VD-02
	BV-M305RD	BV-N305RD	GaP/ Bright Red	700	90	40	15	50	2.2	2.5	1.2	
	BV-M305RE	BV-N305RE										
	BV-M302RD	BV-N302RD	GaP/ Green	568	30	80	30	150	2.2	2.5	3.0	
	BV-M303RD	BV-N303RD	GaAsP/GaP/ Yellow	585	35	80	30	150	2.1	2.5	2.0	
	BV-M304RD	BV-N304RD	GaAsP/GaP/ Hi-Eff.Red	635	45	80	30	150	2.0	2.5	3.0	
			GaAsP/GaP/ Orange									
	BV-M306RD	BV-N306RD	GaAlAs/ SH Super Red	660	20	80	30	150	1.7	2.5	6.0	
	BV-M30DRD	BV-N30DRD	GaAlAs/ DH Super Red	660	20	80	30	150	1.7	2.5	7.0	



NOTES: 1.All Dimensions are in millimeters(inches).  
 2.Tolerance is  $\pm 0.25\text{mm}(.010")$ .  
 3.Specifications are subject to change without notice.  
 4.NP:No Pin. 5.NC:No Connect.