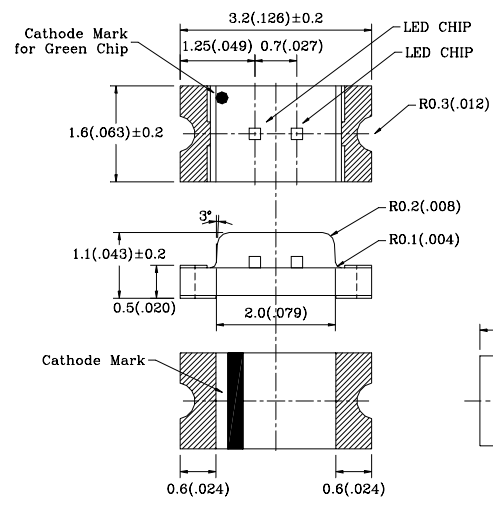


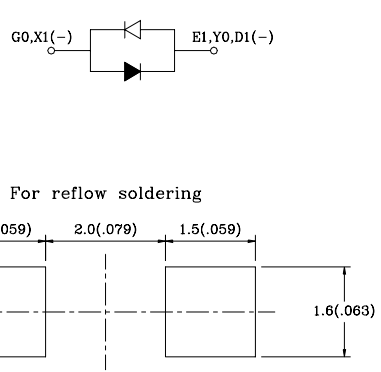
# BI-COLOR CHIP LED LAMPS



### BL-HXXXXX3 Series



LED CHIP  
LED CHIP  
R0.3(.012)  
R0.2(.008)  
R0.1(.004)  
Cathode Mark for Green Chip  
Cathode Mark



GO,XI(-)    EI,YO,DI(-)

For reflow soldering

**NOTE:**  
 1. All dimensions are in millimeters (inches).  
 2. Tolerance is  $\pm 0.10(.004)$  unless otherwise specified.  
 3. Specifications are subject to change without notice.  
 4. Condition for IFp is pulse of 1/10 duty and 0.1msec width.

Absolute Maximum Ratings (Ta=25°C)

	UNIT	SPEC.
IF	mA	30
IFp	mA	100
V <sub>R</sub>	V	5
IR	uA	100
Top	°C	-25~+80
Tstg	°C	-30~+85

Part No.	Chip				Lens Appearance	Electro-optical Data (At 20mA)				Viewing Angle 2θ 1/2 (deg)±5		
	Material	Emitted Color	λ p (nm)	Δ λ (nm)		Vf(V)		Iv(mcd)				
						Typ.	Max.	Min.	Typ.			
BL-HE1G033	GaAsP/GaP	Hi-Eff Red	640	45	Water Clear	2.0	2.6	3.5	10.0	120		
	GaP/GaP	Green	568	30		2.2	2.6	4.0	12.0			
BL-HY0G033	GaAsP/GaP	Yellow	585	35		2.1	2.6	2.5	7.0			
	GaP/GaP	Green	568	30		2.2	2.6	4.0	12.0			
BL-HD1X133	GaAlAs/GaAs	Super Red	660	20		1.8	2.6	8.0	25.0			
	GaP/GaP	Hi-Eff Green	568	30		2.0	2.6	6.0	18.0			
BL-HE1G023	GaAsP/GaP	Hi-Eff Red	640	45		White Diffused	2.0	2.6	2.5		8.0	140
	GaP/GaP	Green	568	30			2.2	2.6	3.5		10.0	
BL-HY0G023	GaAsP/GaP	Yellow	585	35	2.1		2.6	1.5	5.0			
	GaP/GaP	Green	568	30	2.2		2.6	3.5	10.0			
BL-HD1X123	GaAlAs/GaAs	Super Red	660	20	1.8		2.6	7.5	23.0			
	GaP/GaP	Hi-Eff Green	568	30	2.0		2.6	5.0	16.0			