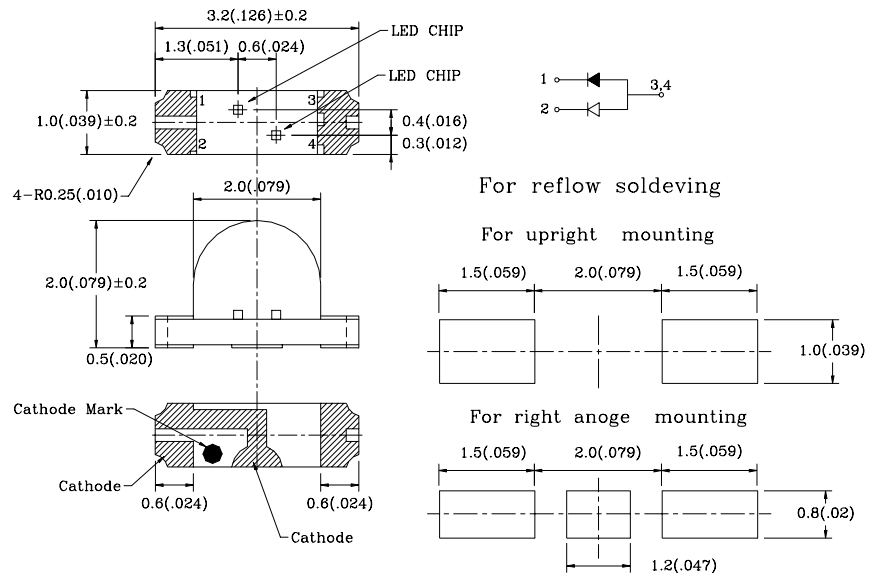


BI-COLOR CHIP LED LAMPS



BL-HXXXXX4B (1204) Series



Absolute Maximum Ratings(Ta=25°C)

	UNIT	SPEC.
IF	mA	30
IFp	mA	100
V _R	V	5
IR	uA	100
Top	°C	-25~+80
Tstg	°C	-30~+85

NOTE:

- 1.All dimensions are in millimeters(inches).
- 2.Tolerance is $\pm 0.10(.004)$ " unless otherwise specified.
- 3.Specifications are subject to change without notice.
- 4.Condition for IFp is pulse of 1/10 duty and 0.1msec width.

Part No.	Chip				Lens Appearance	Electro-optical Data (At 20mA)				Viewing Angle 2θ 1/2 (deg)±5		
	Material	Emitted Color	λ P (nm)	Δ λ (nm)		Vf(V)		Iv(mcd)				
						Typ.	Max.	Min.	Typ.			
BL-HE1G034B	GaAsP/GaP	Hi-Eff Red	640	45	Water Clear	2.0	2.6	3.0	10.0	100		
	GaP/GaP	Green	568	30		2.2	2.6	4.0	12.0			
BL-HY0G034B	GaAsP/GaP	Yellow	585	35		2.1	2.6	2.0	7.0			
	GaP/GaP	Green	568	30		2.2	2.6	4.0	12.0			
BL-HD1X134B	GaAlAs/GaAs	Super Red	660	20		1.8	2.6	8.0	25.0			
	GaP/GaP	Hi-Eff Green	568	30		2.0	2.6	6.0	19.0			
BL-HE1G024B	GaAsP/GaP	Hi-Eff Red	640	45		White Diffused	2.0	2.6	2.5		8.0	120
	GaP/GaP	Green	568	30			2.2	2.6	3.0		10.0	
BL-HY0G024B	GaAsP/GaP	Yellow	585	35	2.1		2.6	1.5	5.0			
	GaP/GaP	Green	568	30	2.2		2.6	3.0	10.0			
BL-HD1X124B	GaAlAs/GaAs	Super Red	660	20	1.8		2.6	7.5	23.0			
	GaP	Hi-Eff Green	568	30	2.0		2.6	5.5	17.0			